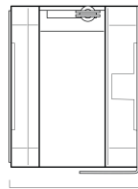


6.4" [164 mm]



4.3" [109 mm]

SK6

Cable Actuated Encoder Reel

Converts Rotary Encoder to Linear Position Sensor
Use with Popular Square Flange & Servo Mount Style
User Adjustable Measuring Cable Orientation

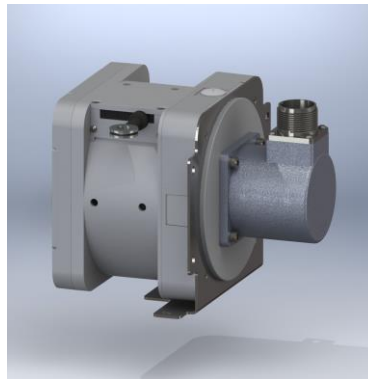
IN STOCK for Quick Delivery!

Specifications

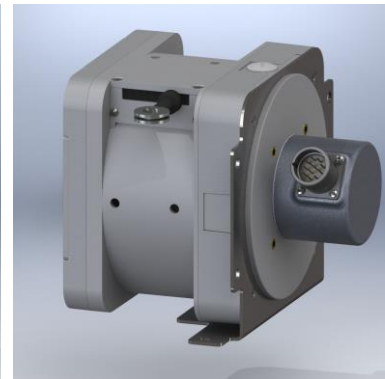
Stroke Range	400 inches (10.2 m)
Rotary to Linear Conversion Ratio	1 turn = 15.020 inches
Accuracy	.04% FS.
Measuring Cable	.031-inch dia. bare stainless steel
Maximum Cable Velocity	60 inches per second
Maximum Cable Acceleration	5 g
Measuring Cable Tension	23 oz. (6.4 N) ±40%
Operating Temperature	-40° to 185° F (-40° to 85° C)

The SK6 easily converts just about any rotary encoder into the perfect off-the-shelf 400-inch linear position sensor for just about any application ranging from factory automation equipment to hydraulic lift tables and anything else in between.

This model offers the ultimate ease-of-use, compact design and user flexibility. Designed for popular 2½ inch square flange and 58mm diameter synchro-mount flange encoder styles, the SK6 comes with everything you need to attach your own encoder. Also included is a stainless steel mounting bracket which lets the user easily change measuring cable orientation to one of the 4 different directions.

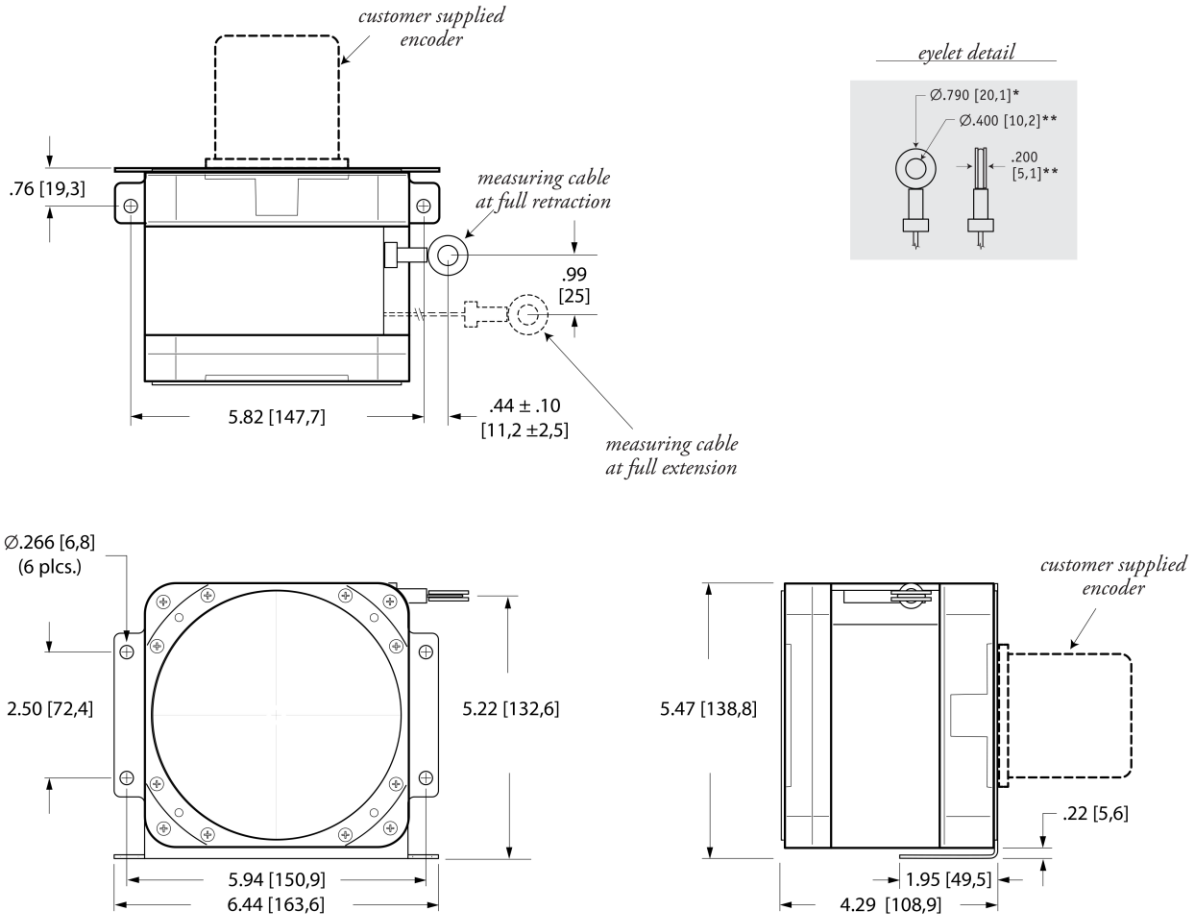


2.5-inch Square Flange Style



Ø58 mm Synchro-Mount Style

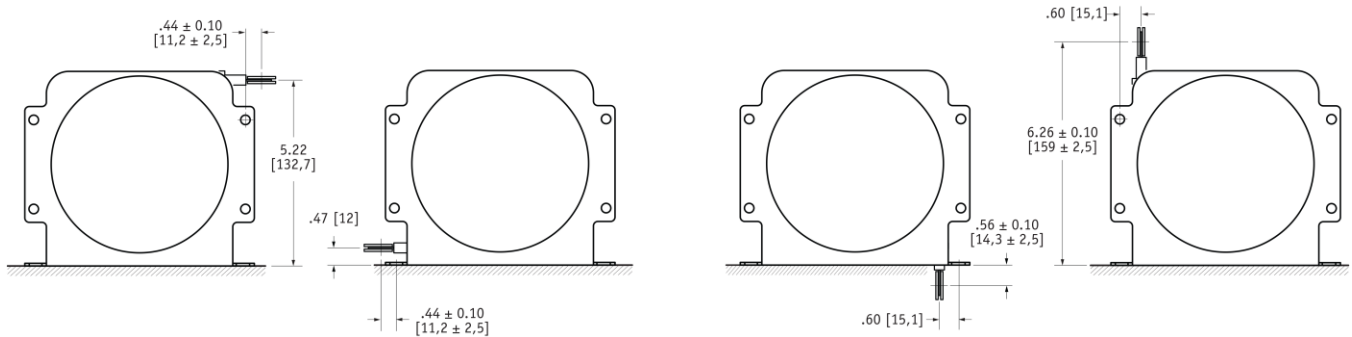
Outline Drawing



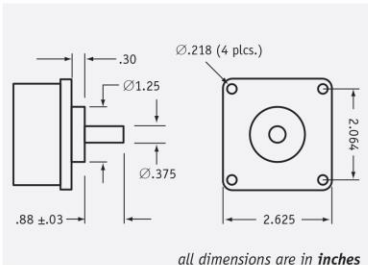
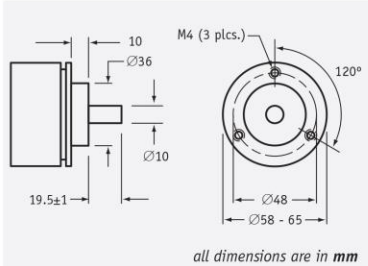
DIMENSIONS ARE IN INCHES [MM]
tolerances are 0.04 IN. [1,0 MM] unless otherwise noted.

* tolerance = $+0.005 -0.001 [+0,1 -0,0]$
** tolerance = $+0.005 -0.005 [+0,1 -0,1]$

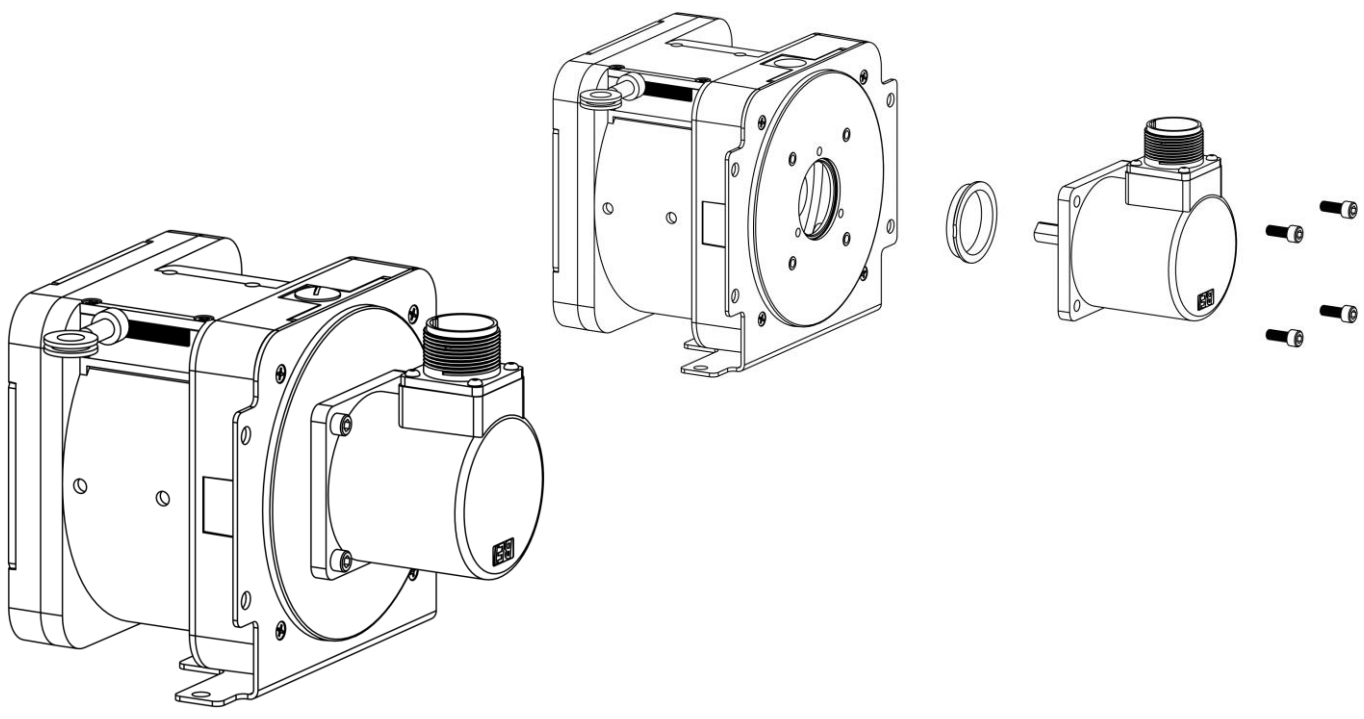
Mounting Options



Ordering Information

Order Number	Encoder Mounting Style	stroke range	
SK6-400-F01	 <p><i>all dimensions are in inches</i></p>	<p>F01 2½-inch Sq. Flange with 3/8-inch shaft</p>	<p>400 inches (10,2 m)</p>
SK6-400-S02	 <p><i>all dimensions are in mm</i></p>	<p>S02 Synchro-Mount (Face Mount) with 10mm shaft / M4 screws</p>	<p>400 inches (10,2 m)</p>

2.5-inch Square Flange Encoder Installation



Synchro-Mount Encoder Installation

