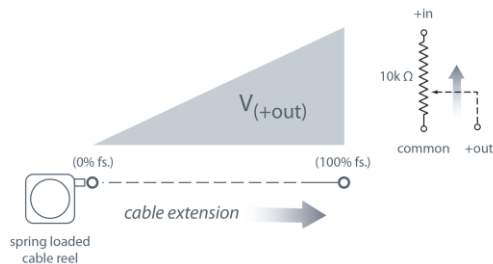


With its ultra-compact design the SM1 is the perfect solution when tight space is an issue. At just a little over an inch across, this miniature stringpot offers full stroke measurement ranges from 2½ to 25 inches. A precision plastic hybrid 10K-ohm potentiometer delivers a precise voltage divider output signal that is linearly proportional to the travel of the spring-loaded measuring cable.

Constructed with a rugged polycarbonate enclosure and free-release tolerant, the SM1 is the perfect solution for the OEM and single piece user alike.

### Output Signal



## SM1 Miniature String Pot • Voltage Divider

**Linear Position to 25 inches (635 mm)**

**Fits In Tight Spaces • Handy Mounting Bracket**

**Polycarbonate Enclosure • Free Release Tolerant**

**In Stock for Quick Delivery!**

### Specifications

<b>Available Stroke Ranges</b>	2.5, 7.5, 12.5, 25 inches
<b>Output Signal</b>	voltage divider (potentiometric)
<b>Accuracy</b>	.25% to 1% FS. (see ordering info)
<b>Repeatability</b>	.05% FS.
<b>Resolution</b>	essentially infinite
<b>Measuring Cable</b>	.014-inch dia. nylon-coated stainless steel
<b>Maximum Acceleration</b>	15 g (retraction)
<b>Measuring Cable Tension</b>	5.1 oz. (1.4 N) ±30%
<b>Sensor</b>	plastic-hybrid precision potentiometer
<b>Input Resistance</b>	10K ohms, ±10%
<b>Power Rating, Watts</b>	2.0 at 70°F derated to 0 at 250°F
<b>Recommended Maximum Input Voltage</b>	30 V (AC/DC)
<b>Output Signal Change Over Full Stroke Range</b>	94% ±4% of V(+in)
<b>Cycle Life</b>	see ordering information
<b>Electrical Connection</b>	solder terminals, directly to potentiometer
<b>Enclosure</b>	glass-filled polycarbonate
<b>Environmental</b>	IP 50
<b>Operating Temperature</b>	0° to 160° F (-18° to 70° C)
<b>Weight (not including bracket)</b>	3 oz (90 g)

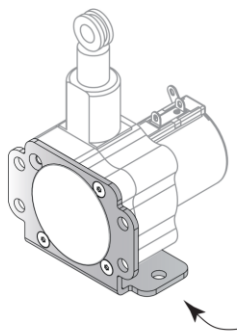
### Optional Universal Mounting Kit

Available as an optional accessory, this universal-style mounting bracket replaces the standard bracket to give added mounting flexibility.

It's easy to install and the mounting kit comes with the bracket and all of the screws needed to attach it to the sensor.

See fig. 3 for further details.

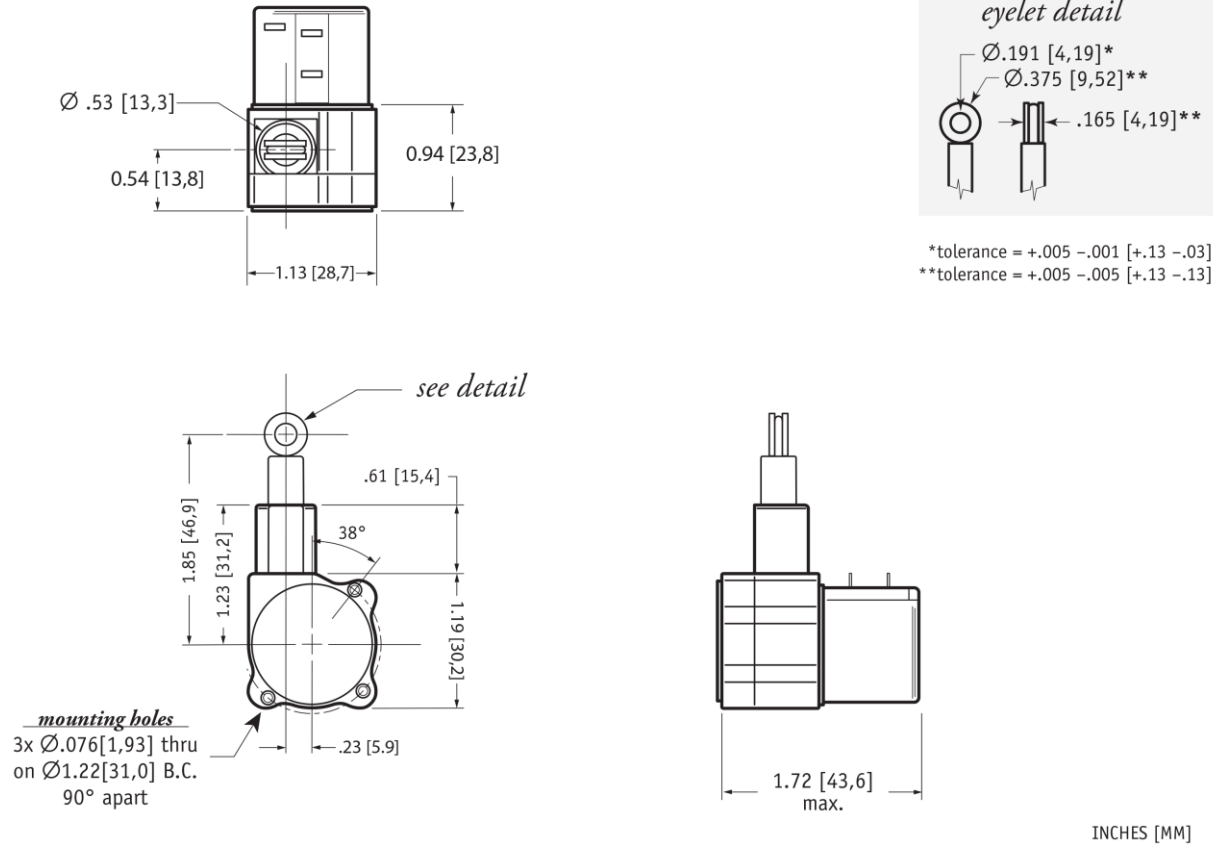
Order No: **#9604300-0000**



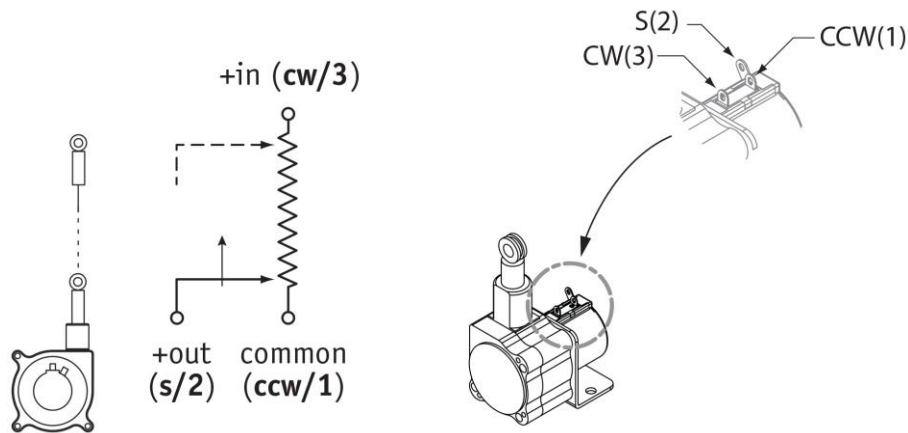
**SM1**

Miniature String Pot • Voltage Divider Output

Fig. 1 - Outline Drawing (w/o mounting bracket)



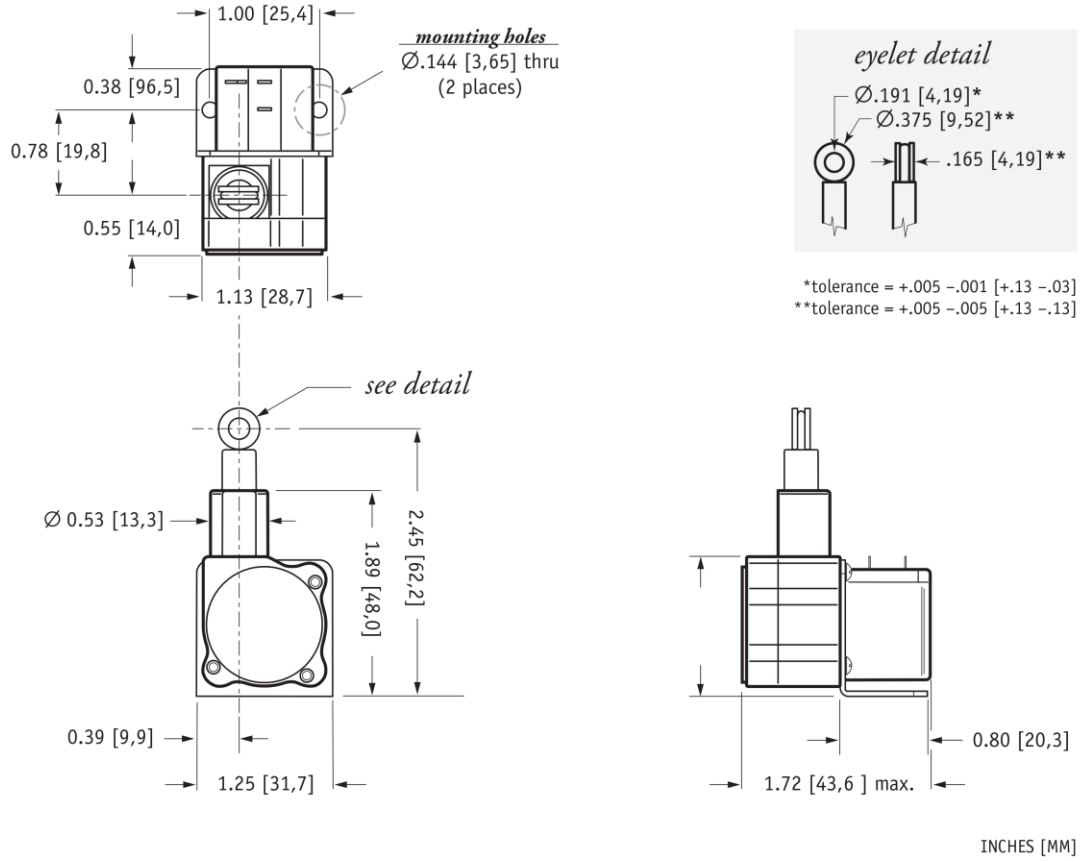
**Electrical Connection**



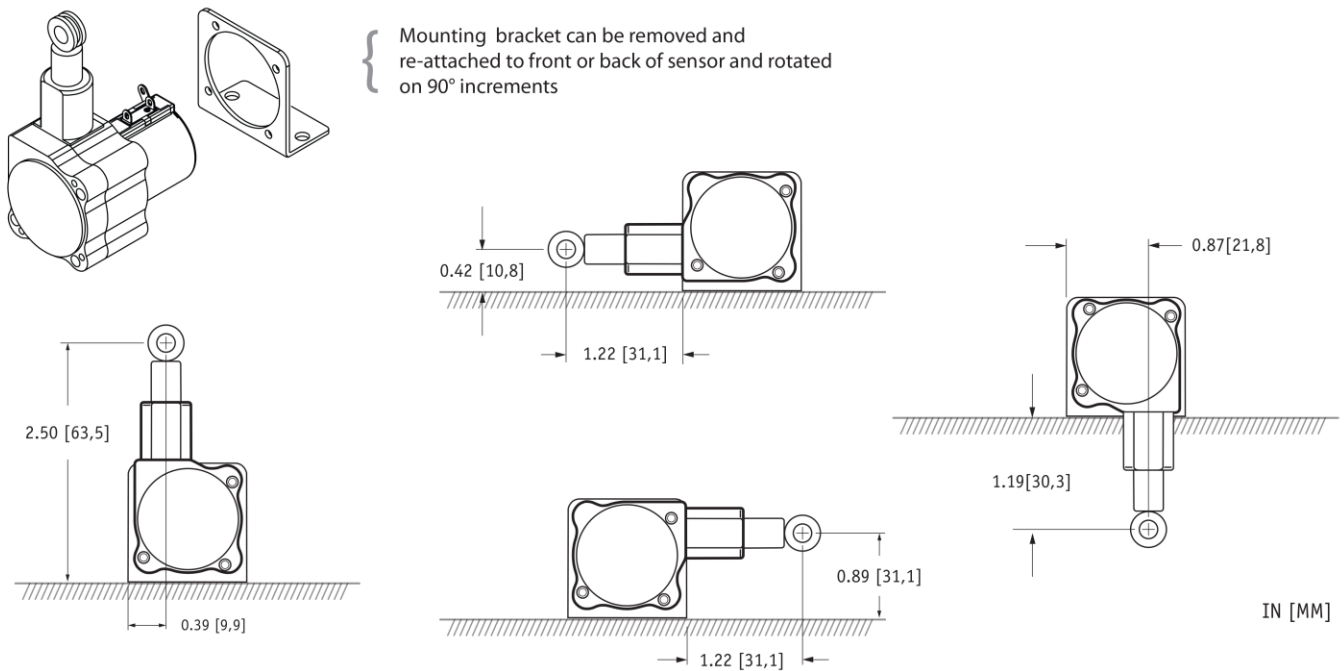
**SM1**

Miniature String Pot • Voltage Divider Output

Fig. 2 - Outline Drawing (w/standard bracket)



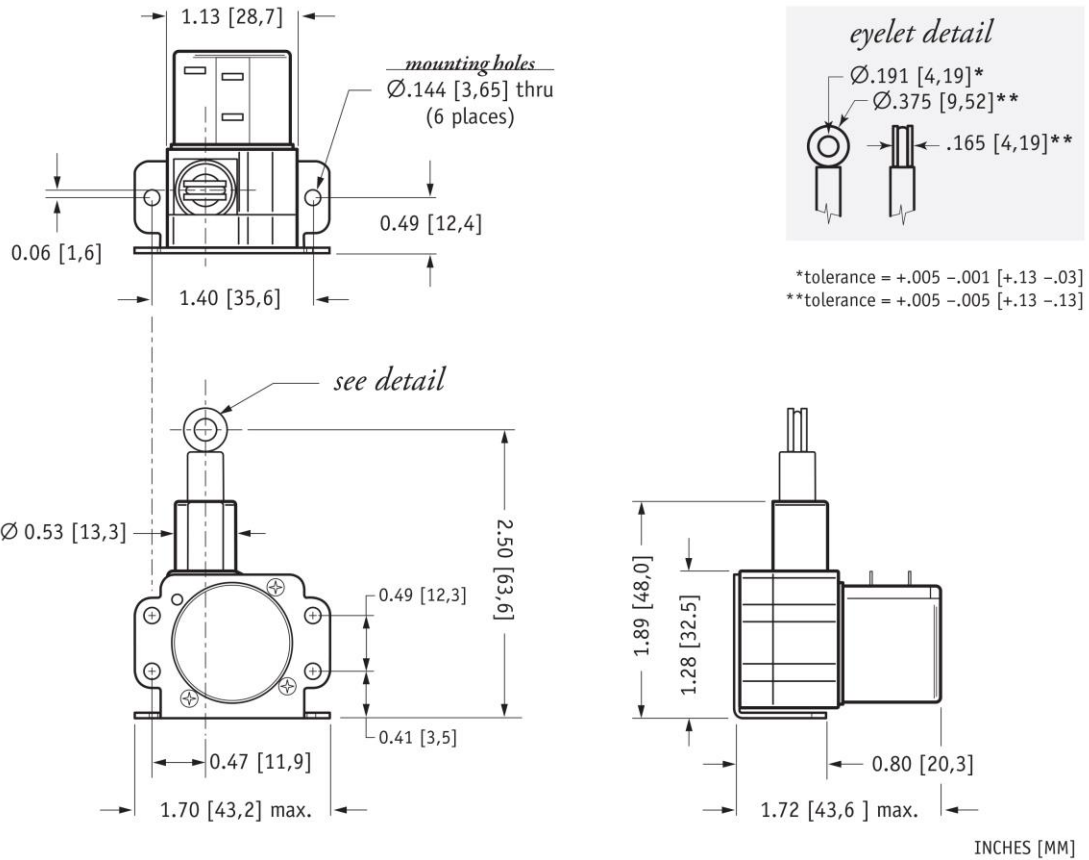
**Mounting Options**



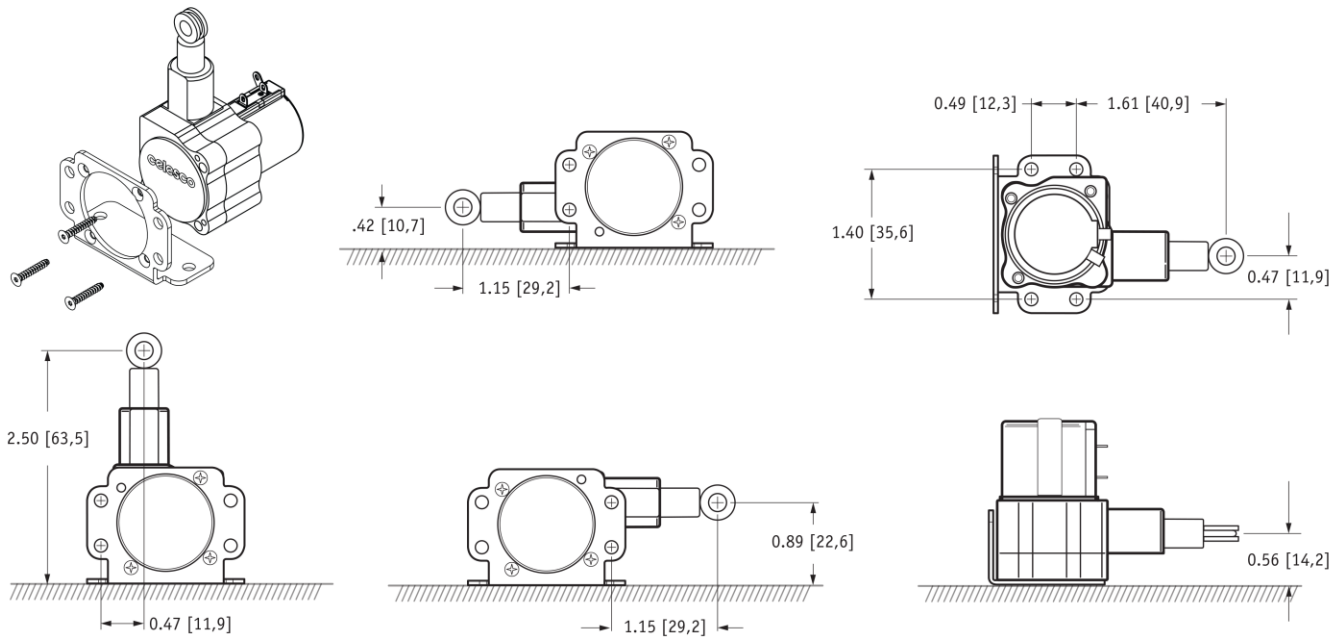
**SM1**

Miniature String Pot • Voltage Divider Output

Fig 3 - Outline Drawing (w/optional Universal Mounting Bracket)



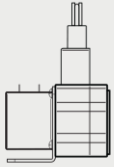
Mounting Options for Universal Mounting Bracket



## SM1

Miniature String Pot • Voltage Divider Output

### Ordering Information



includes sensor,  
& standard  
mounting bracket.

Order No.	full stroke range	accuracy (% of f.s.)	cycle life
<b>SM1-2</b>	2.5 in (64 mm)	1.00%	2.5M cycles
<b>SM1-7</b>	7.5 in (191 mm)	0.25%	500K cycles
<b>SM1-12</b>	12.5 in (318 mm)	0.25%	500K cycles
<b>SM1-25</b>	25 in (635 mm)	0.25%	250K cycles