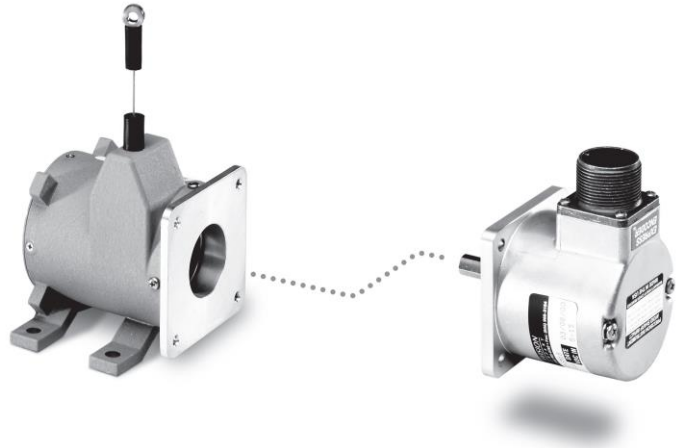


Our unique linear-to-rotational, industrial-grade string encoder module mates to virtually any encoder giving you a cost-effective linear position measurement solution that precisely fits your requirements. The PT8600 takes just minutes to install, fits easily into tight areas and does not require perfectly parallel alignment. To order, simply select the stroke range, the cable tension and the mounting style that matches your encoder.

If you want us to provide the encoder or you don't see the mounting style you need, please give us a call.

PT8600 String Encoder

Converts ANY Rotary Encoder to a Linear Position Sensor
Linear Stroke Range up to 50 inches (1250 mm)
Mates Virtually ANY Customer Supplied Encoder
Factory Supplied Encoder Available



Full Stroke Range Options

English Ranges 0-25, 0-50 in.
Metric Ranges 0-625, 0-1250 mm

Motion Conversion Ratio

English Ranges 5 inches per turn, see ordering information
Metric Ranges 125 mm per turn, see ordering information

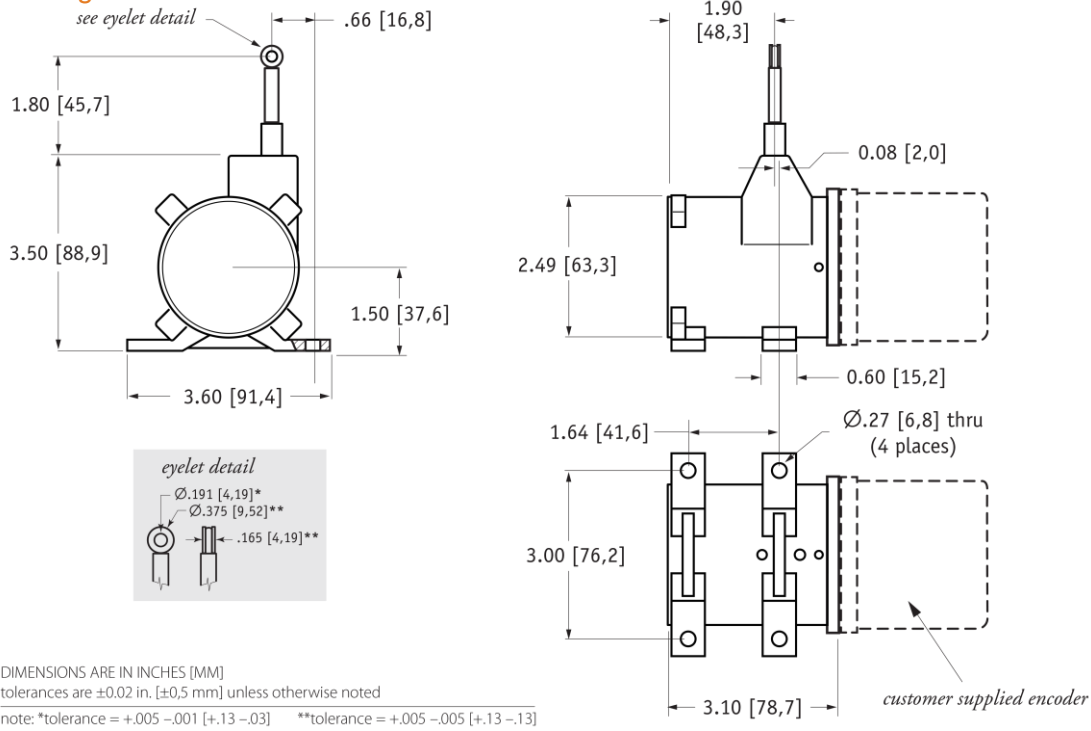
General

Accuracy $\pm 0.04\%$ full stroke, contact factory for better accuracy
Measuring Cable Options see ordering information
Module Material powder-painted aluminum
Maximum Allowable Rotational Sensor Torque 1.0 in-lbs.
Weight 3 lbs. max.

Environmental

Operating Temperature -40° to 200°F (-40° to 90°C)

Outline Drawing



Ordering Information

Model Number:

PT8600 - - - - - -
order code: **R** **A** **B** **1** **C** **D** **E**

Sample Model Number:

PT8600 - 0025 - 111 - BR - F01

- R** range: 25 inches
- A** measuring cable tension: standard (12 oz.)
- B** measuring cable: .034 nylon-coated stainless cable brush
- D** cable guide option: cable brush
- E** rotational sensor mounting style: F01 (2.5-in. sq. flange)

» Trying to reorder but can't find your existing model number? Please contact factory for help.

Full Stroke Range:

R order code:	0025	0050	0625	1250
full stroke range, min:	25 in.	50 in.	625 mm	1250 mm

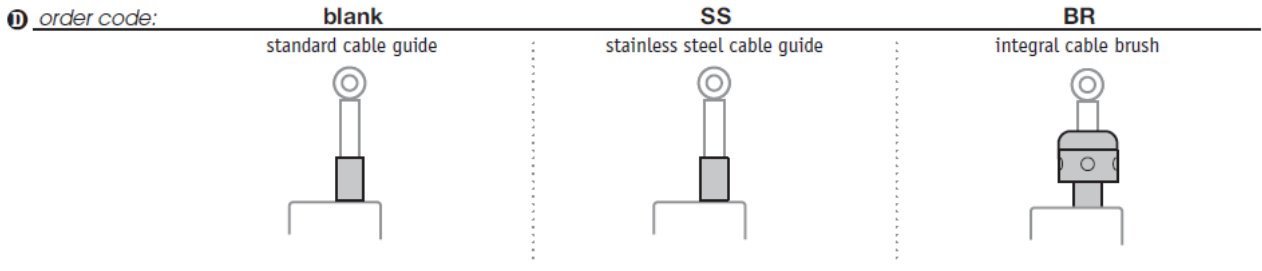
Measuring Cable Tension:

A order code:	1	2
cable tension (±50%)	standard tension	high tension
25, 50-inch ranges:	17 oz. [5 g max. acceleration]	50 oz. [15 g max. acceleration]
625, 1250-mm ranges:	4,2 N [8 g max. acceleration]	13,9 N [30 g max. acceleration]

Measuring Cable:

B order code:	1	2	4
cable construction:	Ø.034-inch nylon-coated stainless steel rope	Ø.047-inch bare stainless steel rope	Ø.031-inch bare stainless steel rope
available ranges:	all ranges	25 inch & 625 mm only	50 inch & 1250 mm only
general use:	indoor	outdoor, debris, high temperature	outdoor, debris, high temperature
conversion ratio {	english ranges:	1 turn = 5.000 ± 0.0094 in.	1 turn = 4.990 ± 0.0094 in.
	metric ranges:	1 turn = 125,001 ± 0,2394 mm	1 turn = 124,762 ± 0,2394 mm

Cable Guide Options:

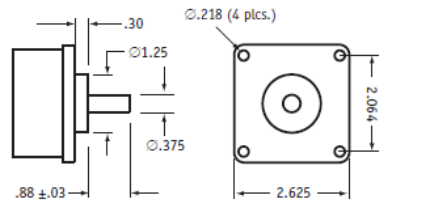


Rotational Sensor Mounting Style:

③ order code:	F01	F02	S01	S02	S04
	2.5-in. Flange Mount 3/8-inch shaft	2-in. Flange Mount 3/8-inch shaft	Face-Mount 6 mm shaft M4 mounting screws	Face-Mount 10 mm shaft M4 mounting screws	Face-Mount 10 mm shaft M3 mounting screws

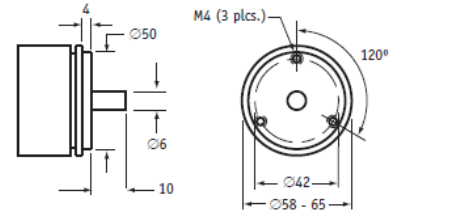
Note: If you don't see your encoder style, please contact factory. All encoder types supported.

F01 - 2½-inch Sq. Flange Mount (3/8-inch shaft)



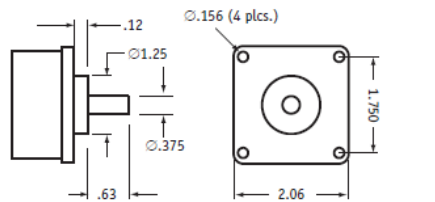
all dimensions are in inches

S01 - Face-Mount (6mm shaft/M4 screws)



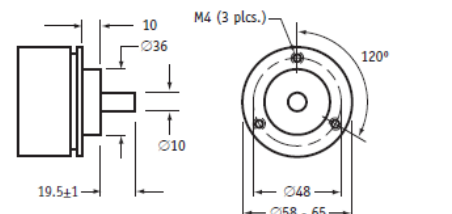
all dimensions are in mm

F02 - 2-inch Sq. Flange Mount (3/8-inch shaft)



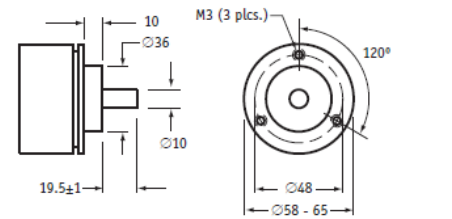
all dimensions are in inches

S02 - Face-Mount (10mm shaft/M4 screws)



all dimensions are in mm

S04 - Face-Mount (10mm shaft/M3 screws)



all dimensions are in mm

